

10 9 8 7 6 5 4 3 2 1

F

F

E

E

D

D

C

C

B

B

A

A



| | | |
|------------|------------|------------------------|
| 53261-**** | WAFER ASSY | MODEL NO./MATERIAL NO. |
| 50079-**** | TERMINAL | |
| 51021-**** | HOUSING | |

| | | | | | | | | |
|--|--|---------|----------------------------|--------------------|---|------------------------|------------------------|--|
| RELEASED EC NO: J2006-2426 DRWN: A0YAGI 2006/02/02 CHKD: YMAEDA 2006/02/03 APPR: NUKITA 2006/02/07 | GENERAL TOLERANCES (UNLESS SPECIFIED) | | DIMENSION STYLE MM ONLY | | SCALE --- | DESIGN UNITS METRIC | THIRD ANGLE PROJECTION | |
| | 10 UNDER | ± --- | DRAWN BY Y. A0YAGI | DATE 2006/01/30 | TITLE 1.25 W-TO-B CONN. 51021,53261 MATING CROSS SECTION | | | |
| | 10 OVER 30 UNDER | ± --- | CHECKED BY Y. MAEDA | DATE 2006/01/30 | MOLEX INCORPORATED | | | |
| | 30 OVER | ± --- | APPROVED BY N. UKITA | DATE 2006/01/30 | DOCUMENT NO. SD-51021-002 | | | |
| | ANGULAR | ± --- ° | MATERIAL NO. SEE CHART | | SHEET NO. 1 OF 1 | | | |
| 0 | DRAFT WHERE APPLICABLE MUST REMAIN WITHIN DIMENSIONS | | SIZE A3 | | THIS DRAWING CONTAINS INFORMATION THAT IS PROPRIETARY TO MOLEX INCORPORATED AND SHOULD NOT BE USED WITHOUT WRITTEN PERMISSION | | | |

9

8

7

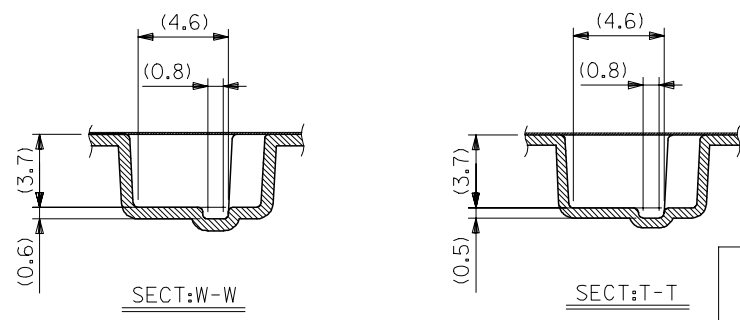
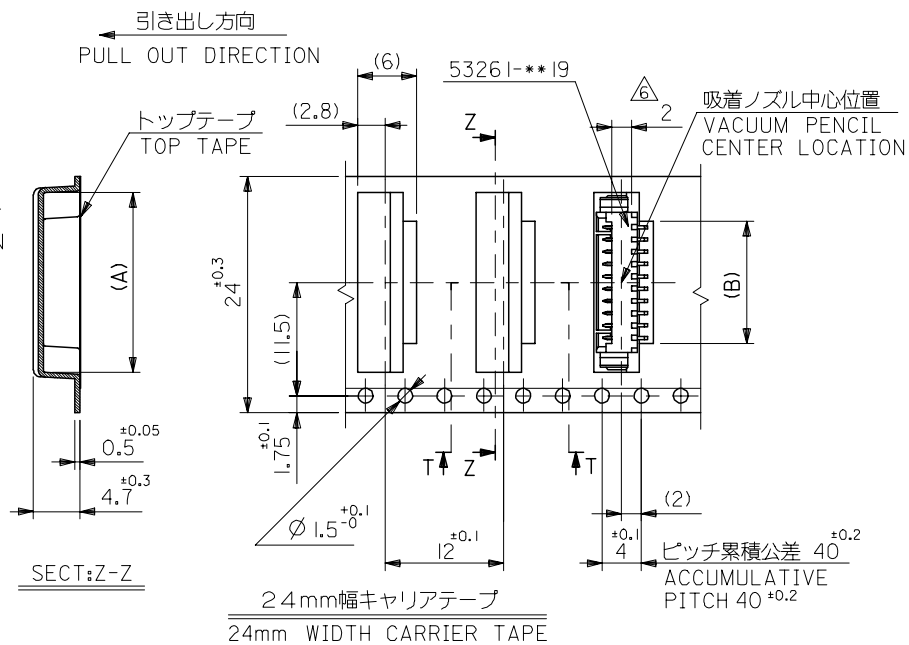
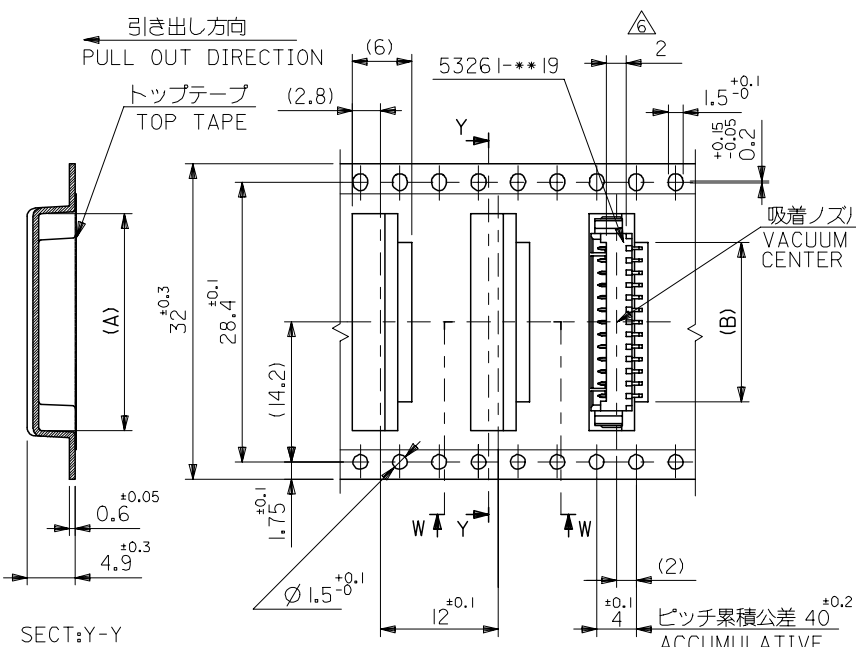
6

5

4

3

2



| | | | | | | | |
|--------------------------------|-------|------------|-------|-------|------------|---------------|------------|
| 32 | 37.4 | 33.4 | 16.2 | 22 | 53261-1371 | 13 | |
| | | | 14.95 | 20.75 | -1271 | 12 | |
| 24 | 29.4 | 25.4 | 13.7 | 19.5 | -1171 | 11 | |
| | | | 12.45 | 18.25 | -1071 | 10 | |
| | | | 11.2 | 17 | -0971 | 9 | |
| | | | 9.95 | 15.75 | -0871 | 8 | |
| | | | 8.7 | 14.5 | -0771 | 7 | |
| | | | 7.45 | 13.25 | -0671 | 6 | |
| | | | 6.2 | 12 | -0571 | 5 | |
| 4.95 | 10.75 | 53261-0471 | 4 | | | | |
| キャリアテープ幅 CARRIER TAPE WIDTH | | D | C | B | A | MATERIAL. NO. | 種数 CKT. |

| | | | | | | | | | | | | | |
|-------------------|--|-------------|--|--|--|------------------|--|-------------------------|--|---|--|---|--|
| REVISED | | DESCRIPTION | | GENERAL TOLERANCES (UNLESS SPECIFIED) | | DIMENSION STYLE | | SCALE | | DESIGN UNITS | | THIRD ANGLE PROJECTION | |
| EC NO: J2008-0056 | | 2007/07/31 | | 10 UNDER ±0.2 | | MM ONLY | | --- | | METRIC | | ◎ □ | |
| DRW:KSAIT001 | | 2007/07/31 | | 10 OVER 30 UNDER ±0.25 | | DRAWN BY DATE | | H. SHIMABUKUR '04/02/06 | | TITLE | | 1.25 W/B CONN WAFER ASSY FOR SMT EMBSTP PKG | |
| CHKD:THARUYAMA | | 2007/07/31 | | 30 OVER ±0.3 | | CHECKED BY DATE | | K. TOJO '04/02/06 | | APPROVED BY DATE | | MOLEX MOLEX INCORPORATED | |
| APPR:NUKITA | | 2007/08/10 | | ANGULAR ±3 ° | | APPROVED BY DATE | | M. SASAO '04/02/06 | | MATERIAL NO. | | DOCUMENT NO. | |
| | | | | DRAFT WHERE APPLICABLE MUST REMAIN WITHIN DIMENSIONS | | MATERIAL NO. | | SEE CHART | | SD-53261-023 | | SHEET NO. | |
| | | | | | | SIZE | | A3 | | THIS DRAWING CONTAINS INFORMATION THAT IS PROPRIETARY TO MOLEX INCORPORATED AND SHOULD NOT BE USED WITHOUT WRITTEN PERMISSION | | 2 OF 3 | |

10 9 8 7 6 5 4 3 2 1

F

E

D

C

B

A

F

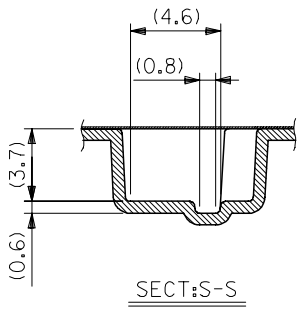
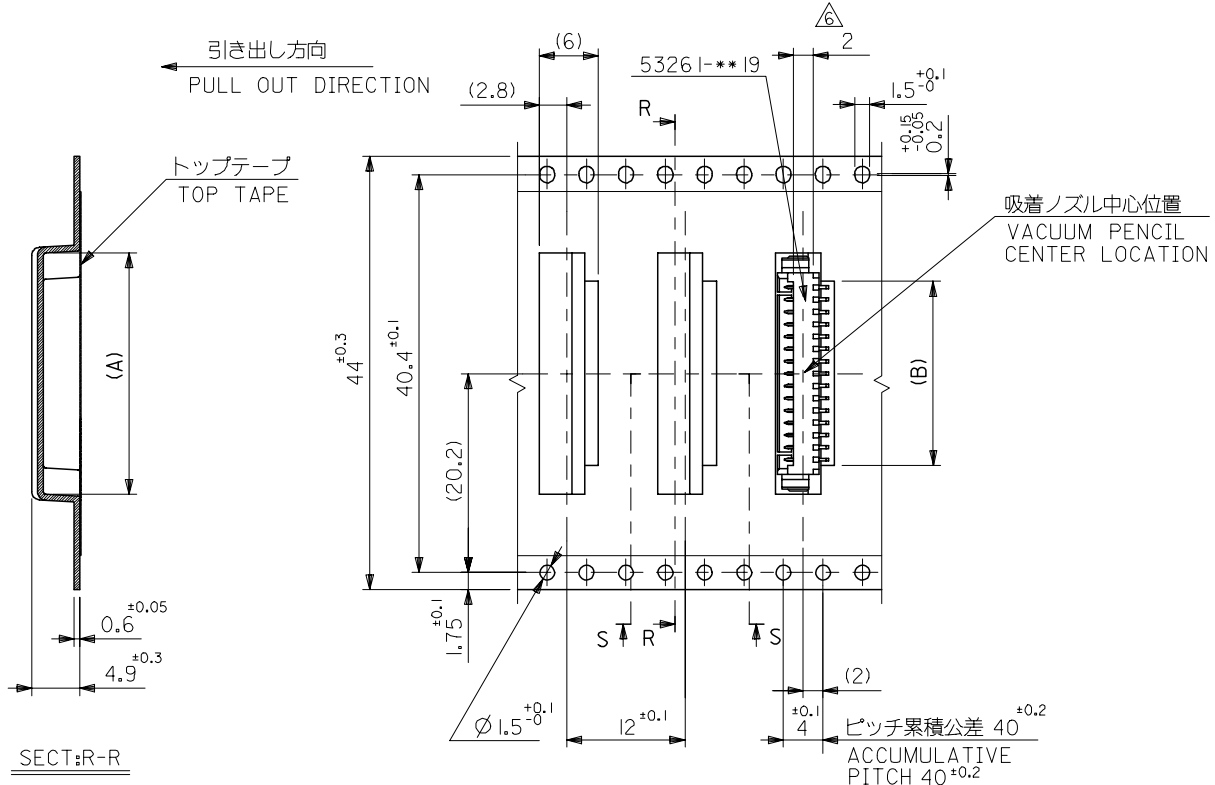
E

D

C

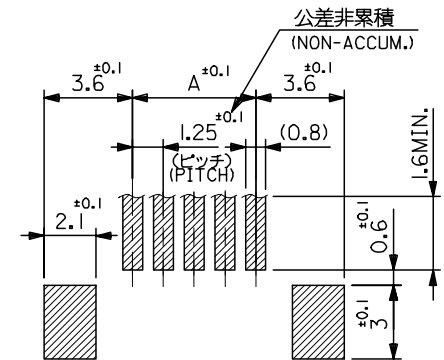
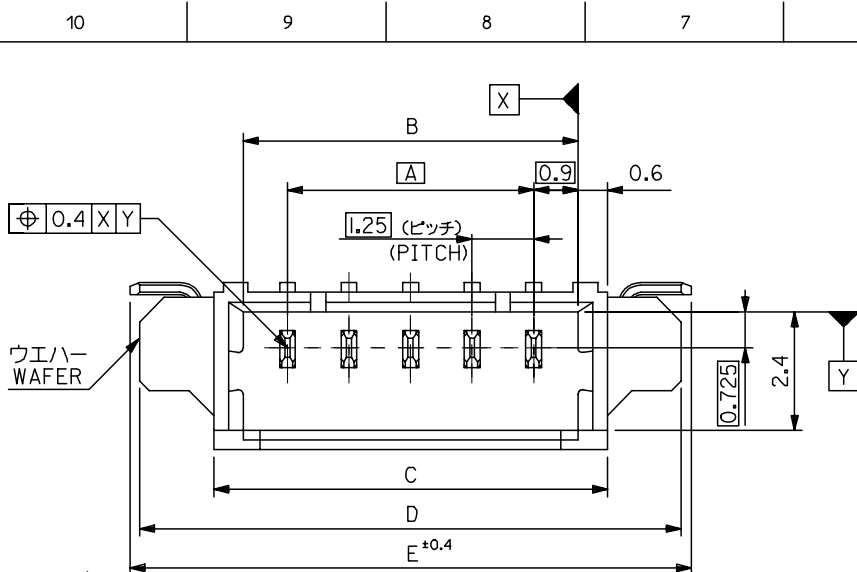
B

A

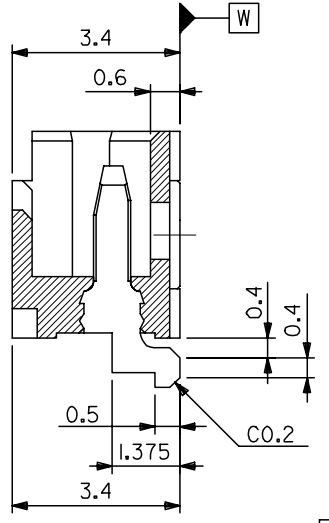
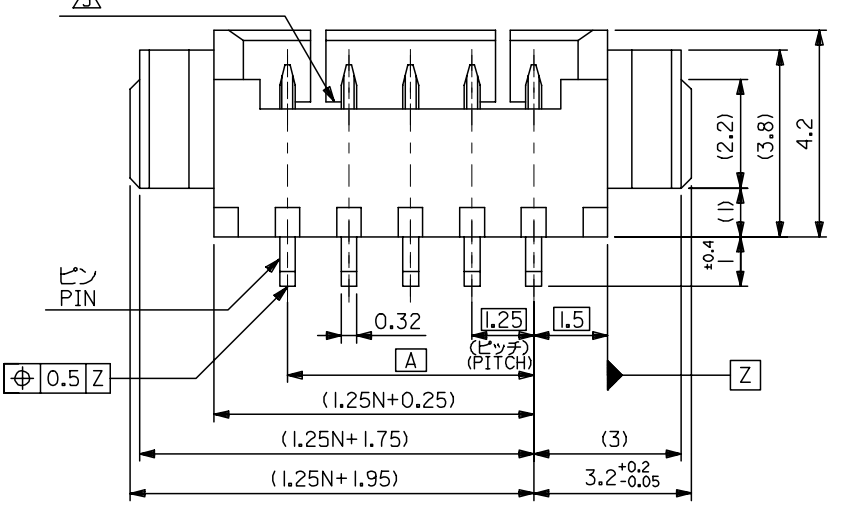


44mm幅キャリアテープ
44mm WIDTH CARRIER TAPE

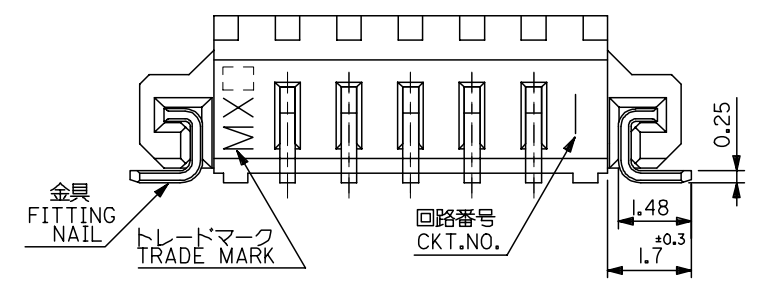
| | | | | | | | | | | | | |
|---------------------------|-----|--------------------------|--|--------------------|---|-------|---|------|--------------|-------|------------|-----------|
| REVISED | REV | DESCRIPTION | GENERAL TOLERANCES (UNLESS SPECIFIED) | MODEL NO. | 53261-***71 | 44 | 49.4 | 45.4 | 18.7 | 24.5 | 53261-1571 | 15 |
| EC NO: J2008-0056 | | DRWN:KSAIT001 2007/07/31 | 10 UNDER ±0.2 | キャリアテープ幅 | D | C | B | A | 17.45 | 23.25 | 53261-1471 | 14 |
| CHKD:THARUYAMA 2007/07/31 | | APPR:NUKITA 2007/08/10 | 10 OVER 30 UNDER ±0.25 | CARRIER TAPE WIDTH | | | | | | | | |
| | | | 30 OVER ±0.3 | DIMENSION STYLE | MM ONLY | SCALE | DESIGN UNITS | | | | | |
| | | | ANGULAR ±3 ° | | | --- | METRIC | | | | | |
| | | | DRAFT WHERE APPLICABLE MUST REMAIN WITHIN DIMENSIONS | TITLE | 1.25 W/B CONN WAFER ASSY FOR SMT EMBSTP PKG | | | | | | | |
| | | | | DRAWN BY DATE | H. SHIMABUKUR '04/02/06 | | THIRD ANGLE PROJECTION | | | | | |
| | | | | CHECKED BY DATE | K. TOJO '04/02/06 | | MATERIAL. NO. 極致 CKT. | | | | | |
| | | | | APPROVED BY DATE | M. SASAO '04/02/06 | | MOLEX INCORPORATED | | | | | |
| | | | | MATERIAL NO. | SEE CHART | | DOCUMENT NO. | | SD-53261-023 | | | SHEET NO. |
| | | | | SIZE | A3 | | THIS DRAWING CONTAINS INFORMATION THAT IS PROPRIETARY TO MOLEX INCORPORATED AND SHOULD NOT BE USED WITHOUT WRITTEN PERMISSION | | | | | 3 OF 3 |



参考基板レイアウト
RECOMMENDED P.C.BOARD PATTERN DIM.(REF.)
(SCALE 5:1)



[断面図]
[CROSS SECTION]



注記 NOTES

1. 嵌合相手: 51021 シリウス
MATES WITH: 51021 SERIES
2. 材質 MATERIAL
ウエハー: NYLON46, UL94V-0
ピン: リン青銅
PIN: PHOS-BRO
: 銅メッキ 1. 0マイクrometer以上
: TIN 1.0 MICROMETER MINIMUM
: ニッケル下地 1. 0マイクrometer以上
: NICKEL(UNDER PLATING)1.0 MICROMETER MINIMUM
金具
FITTING NAIL: リン青銅
: PHOS-BRO
: 銅メッキ 1. 0マイクrometer以上
: TIN 1.0 MICROMETER MINIMUM
: ニッケル下地 1. 0マイクrometer以上
: NICKEL(UNDER PLATING)1.0 MICROMETER MINIMUM
- △ ロック窓は2, 3極は1箇所, 4極以上は2箇所とする。
LOCKING WINDOW:
ONE PLACE FOR 2 AND 3 CKT. AND
TWO PLACES FOR MORE THAN 3 CKT.
4. ソルダテール部のスレ量及び金具(補強板)のスレ量は基準面[W]に対し、上方向0.05 MAX、下方向に0.1 MAX.とする。 [W] OFFSET BETWEEN BASIS PLANE TO SOLDER TAIL BOTTOM AND FITTING NAIL BOTTOM:
UPPER SIDE: 0.05MAX.
LOWER SIDE: 0.1MAX.
5. 本製品は 53261-**10 の鉛フリー品である。
THIS PRODUCT IS LEAD FREE OF 53261-**10

| | | | | | | | |
|------------|-------|-------|-------|-------|------------|------------|---|
| 26.4 | 26 | 23 | 21.8 | 20 | 53261-1719 | 17 | |
| 23.9 | 23.5 | 20.5 | 19.3 | 17.5 | -1519 | 15 | |
| 22.65 | 22.25 | 19.25 | 18.05 | 16.25 | -1419 | 14 | |
| 21.4 | 21 | 18 | 16.8 | 15 | -1319 | 13 | |
| 20.15 | 19.75 | 16.75 | 15.55 | 13.75 | -1219 | 12 | |
| 18.9 | 18.5 | 15.5 | 14.3 | 12.5 | -1119 | 11 | |
| 17.65 | 17.25 | 14.25 | 13.05 | 11.25 | -1019 | 10 | |
| 16.4 | 16 | 13 | 11.8 | 10 | -0919 | 9 | |
| 15.15 | 14.75 | 11.75 | 10.55 | 8.75 | -0819 | 8 | |
| 13.9 | 13.5 | 10.5 | 9.3 | 7.5 | -0719 | 7 | |
| 12.65 | 12.25 | 9.25 | 8.05 | 6.25 | -0619 | 6 | |
| 11.4 | 11 | 8 | 6.8 | 5 | -0519 | 5 | |
| 10.15 | 9.75 | 6.75 | 5.55 | 3.75 | -0419 | 4 | |
| 8.9 | 8.5 | 5.5 | 4.3 | 2.5 | -0319 | 3 | |
| 53261-**19 | 7.65 | 7.25 | 4.25 | 3.05 | 1.25 | 53261-0219 | 2 |

| | | | | | | | |
|-----------|---|---|---|---|---|---------------|---------|
| MODEL NO. | E | D | C | B | A | MATERIAL. NO. | 極数 CKT. |
|-----------|---|---|---|---|---|---------------|---------|

| | | | | | | | |
|---|---------------------------------------|-------|-----------------------------|------------------|---|---|------------------------|
| REVISED EC NO: J2005-3130 DRW:NAIDA 2005/04/19 CHK:KTOYODA 2005/04/21 APP:NUKITA 2005/04/25 | GENERAL TOLERANCES (UNLESS SPECIFIED) | | DIMENSION STYLE MM ONLY | | SCALE 10:1 | DESIGN UNITS METRIC | THIRD ANGLE PROJECTION |
| | 10 UNDER | ±0.2 | DRAWN BY HSHIMABU | DATE 04/02/06 | TITLE 1.25 WIRE TO BOARD WAFER ASS FOR SMT -LEAD FREE- | | |
| | 10 OVER 30 UNDER | ±0.25 | CHECKED BY KTOJO | DATE 04/02/06 | MOLEX INCORPORATED | | |
| | 30 OVER | ±0.3 | APPROVED BY MSASAO | DATE 04/02/06 | DOCUMENT NO. SD-53261-024 | | |
| | ANGULAR | ±3 ° | MATERIAL NO. SEE DRAWING | | SHEET NO. 1 OF 1 | THIS DRAWING CONTAINS INFORMATION THAT IS PROPRIETARY TO MOLEX INCORPORATED AND SHOULD NOT BE USED WITHOUT WRITTEN PERMISSION | |